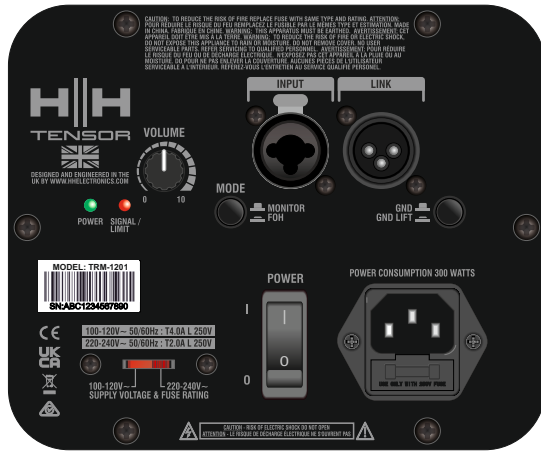


TRM-1201

Features

- 1400 Watts High Power Class D Amplifier
- 12-inch High Performance Driver with 1-inch High Frequency Compression Driver
- XLR, 1/4-inch Combination Input Socket with 2 Audio Modes
- Robust, Solid Plywood Enclosure with Integrated Handles
- 35mm Distance Pole Mount and Protective Steel Grille



Applications

- Onstage performance monitoring
- Conference or public address
- Venue installation
- Live music
- DJ

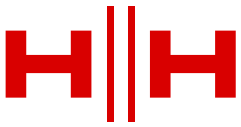
Type	Active Stage Monitor
Description	The Tensor TRM-1201 is a compact, active stage monitor; featuring a HH high-grade 12-inch driver with 1 inch compression driver. The ultra efficient 1400 Watt Class D amplifier delivers optimal power output for demanding applications. Dual audio modes provide effective voicing options for versatile operation, whether that's live band, DJ or conference. The 6.3mm / XLR combination input socket enables simple connection. Combined with a painted, light-weight solid plywood enclosure with 35mm pole mount for tripod mounting, the Tensor TRM-1201 is the perfect active monitoring solution.
Specifications	
Model	TRM-1201
System Type	12" Active Powered Stage Monitor, Bass Reflex
Frequency Response ²	50Hz - 20KHz (-10dB) (FOH mode) 55Hz - 18KHz (-3dB)
LF Driver	12-inch HH Driver
HF Driver	1 inch HH Compression Driver
Max SPL 1m ³	130 dB SPL
Coverage Angle	80° x 80°
Crossover Frequency	2.8KHz
Amplifier	
Power Rating	350W RMS, 700W Continuous, 1400W Peak
Limiter	Dual Band Limiters
Input Connector	Balanced Female XLR/6.3mm Jack Combi Socket
Output Connector	Balanced Male XLR with ground lift switch
Signal Indicators	Power, Signal Present, Clip Indicator
Controls	Volume, Monitor/FOH mode
AC Power	100V-120V~/220-240V~+ 50/60Hz User Switchable
AC Power Consumption	300W
AC Power Inlet	IEC C14 INLET
Enclosure	
Cabinet	Acoustically optimised Plywood cabinet with integrated carry handles
Finish	Painted Black
Monitor Angle	35°
Pole Mount	35mm Pole Mount Socket Included
Grille	Rear reinforced heavy gauge steel grille with acoustic foam
Unit dimensions (HWD)	340 x 510 x 500mm, 13.4" x 20.1" x 19.7"
Unit weight	17.7Kg, 39 lbs
Carton dimensions (HWD)	605 x 540 x 470mm, 23.8" x 21.3" x 18.5", 0.154 M3
Packed weight	21Kg, 46.3 lbs
EAN13	5060109457582

¹ AES standard Pink Noise 12dB crest factor 2 hours

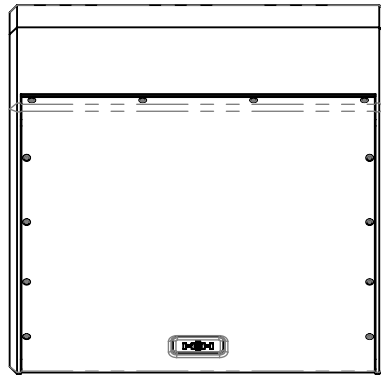
² Measured in Half space (2π) conditions

³ Calculated maximum SPL based on rated power handling in Half space

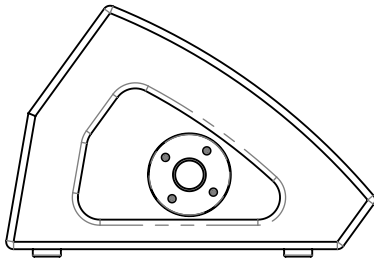




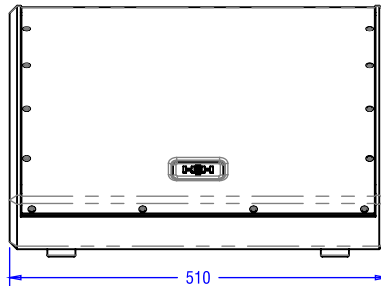
DIMENSIONS (in mm)



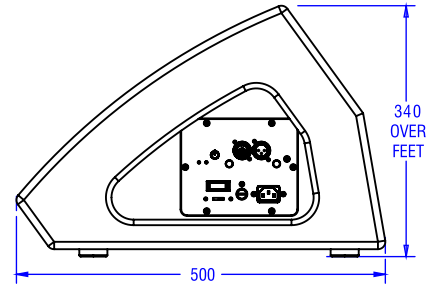
TOP



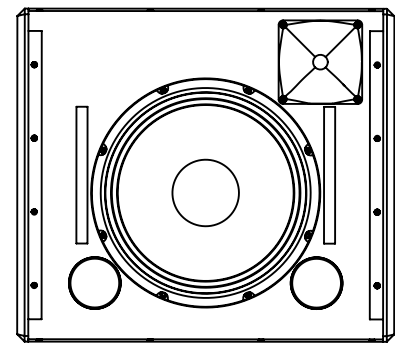
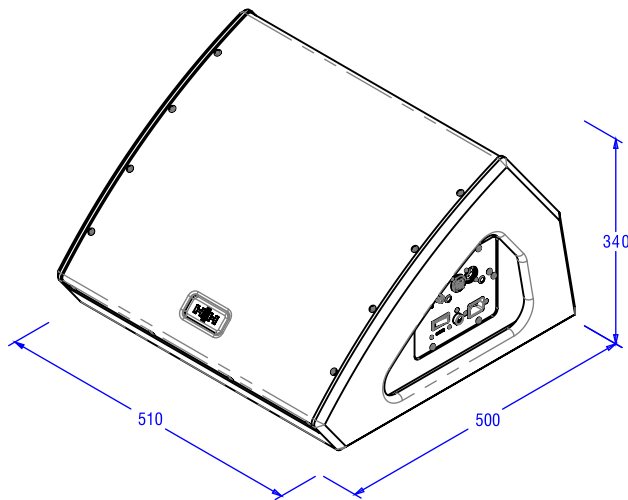
LEFT



FRONT

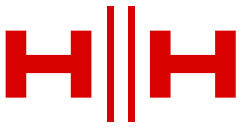


RIGHT



TOP - BAFFLE





EQ MODES

